



HANDSWELL'S CHAIN INDUSTRIES

hands you well always

CHAINS
FOR
STEEL
INDUSTRY





KNOW
US

HANDSWELL'S CHAIN INDUSTRIES LLP

Welcome to Handswell's Chain Industries LLP, where precision meets performance in the world of industrial conveyor chain manufacturing. With a rich legacy of excellence and a commitment to innovation, we have been a trusted partner for industries worldwide, providing top-tier conveyor chain solutions that drive efficiency and reliability.

At Handswell, we understand the critical role that conveyor chains play in the seamless operation of industrial processes. Our dedication to quality craftsmanship, cutting-edge technology, and customer satisfaction sets us apart in the industry



What sets us apart/ Why Us?

- 1. **Expertise and Experience:**** With over two decades of experience, our team of skilled professionals brings unparalleled expertise to every aspect of conveyor chain manufacturing. We have honed our craft, combining traditional craftsmanship with the latest advancements in materials and production techniques.
- 2. **Custom Solutions:**** We recognize that every industry has unique requirements. That's why we specialize in creating customized conveyor chain solutions tailored to meet the specific needs of our clients. From design to production, we work closely with our customers to ensure that our products exceed expectations.
- 3. **Innovation at the Core:**** In a rapidly evolving industrial landscape, we stay at the forefront of innovation. We are constantly innovating and investing in tools and technology such as **Laser, CNC** for **precise manufacturing** of parts. Our research and development team is dedicated to pushing the boundaries of what is possible, developing conveyor chain solutions that enhance performance, durability, and sustainability.



Our USP

4. **Quality Assurance:** Quality is non negotiable at **Handswell**. We adhere to rigorous quality control measures throughout the manufacturing process, ensuring that each conveyor chain leaving our facility meets the highest standards. Our commitment to quality extends beyond our products to encompass the entire customer experience.

5. **Manufacturing Facility:** Unlike other brands in the market, we have our own top class manufacturing plant with all the latest machines and infrastructure dedicated to conveyor chain manufacturing. We have been **white labelling** to **top brands** for more than **two decades** and our products have a wide reach not only in **India but also globally**.

6. **More Value compared to other brands:** Unlike the other known brands who are into buying and selling of products, **we are manufacturers with real facility and infrastructure**, who manufacture the products, buying directly from us **cuts the middleman fee**, hence better **value proposition**.

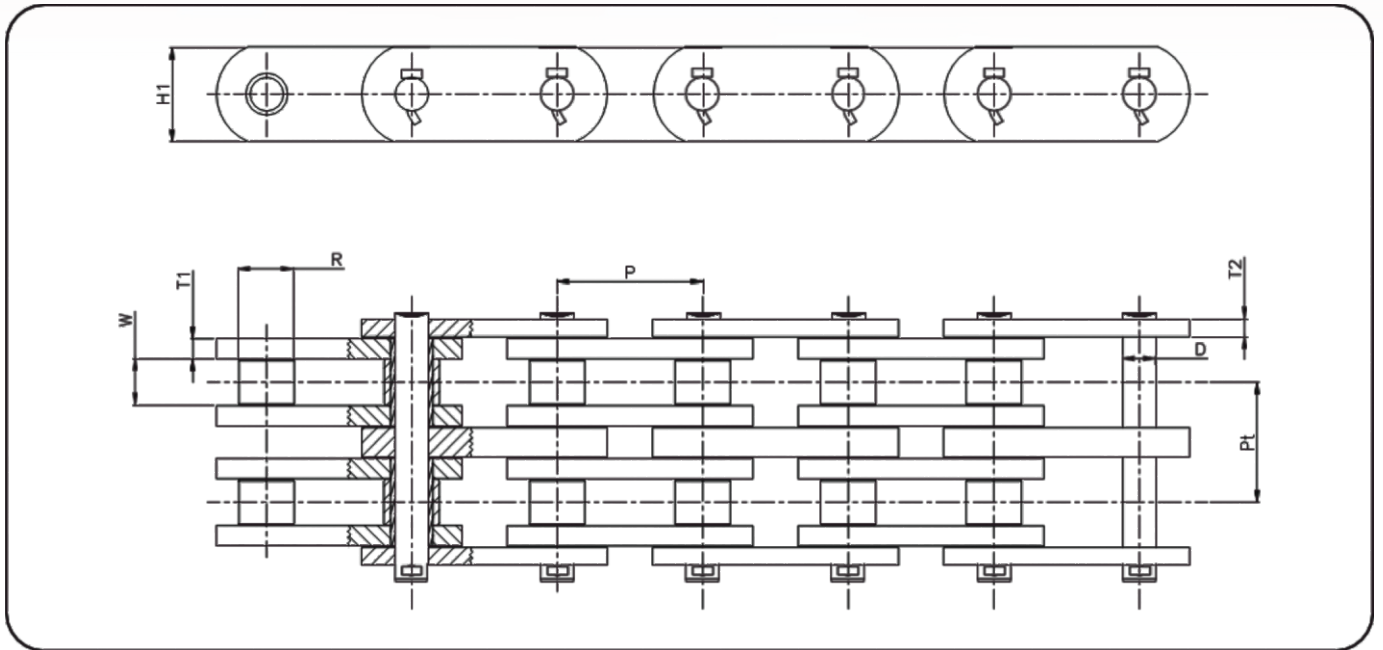


Customer Centric Approach

Our customers are at the heart of everything we do. We pride ourselves on **fostering long - term partnerships** by providing exceptional service, timely delivery, and ongoing support. Your success is our success, and we are dedicated to helping you achieve your operational goals.

Whether you are in **mining, manufacturing, agriculture, or any other industry** that relies on **conveyor systems**, Handswell's **Chain Industries** is your trusted partner for **premium conveyor chain** solutions. Explore the possibilities with us and experience the difference that quality and innovation can make in your operations.

DRAW BENCH CHAINS

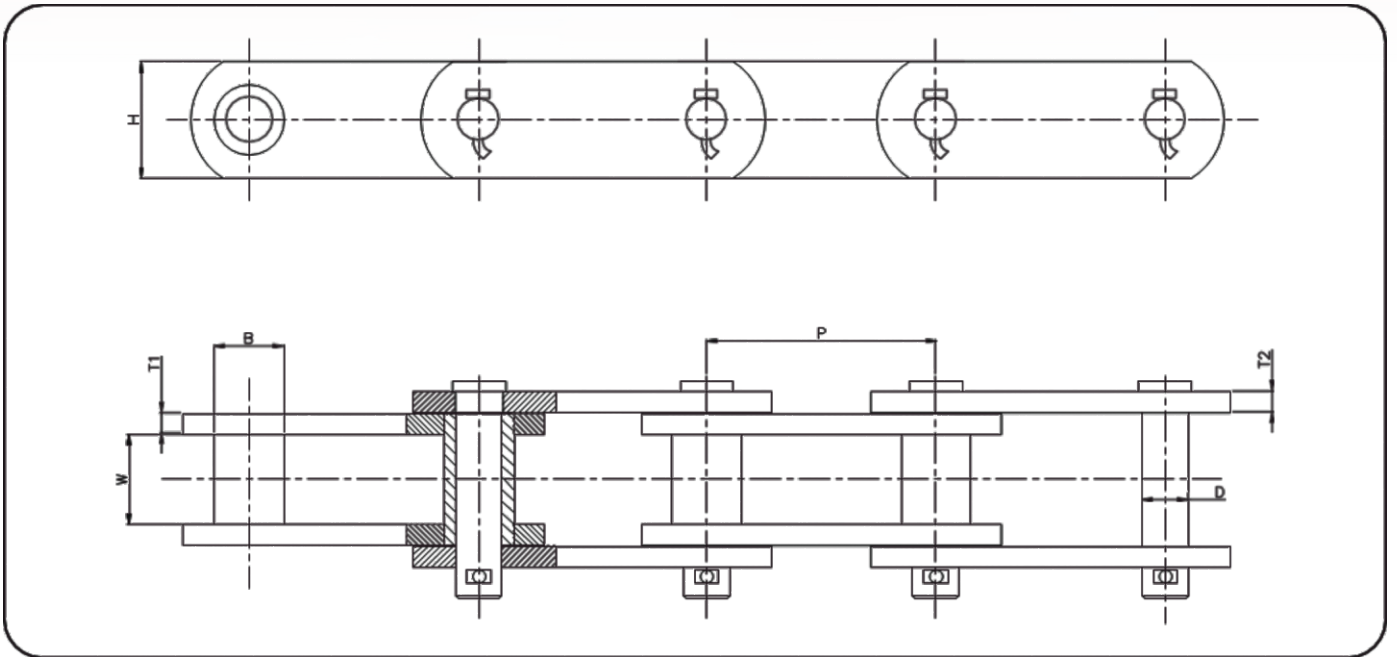


Chain No.	Pitch (P)	WIP (W)	Plate Height (H1)	I/P Thk. (T1)	O/P Thk. (T2)	Roller Dia. (R)	Pin Dia. (D)	Transverse Pitch (Pt)	Min. Breaking Load, Kgf
HLS14088-D	88.90	53.34	76.20	14.00	12.00	53.98	34.20	106.00	160000
HLS14100-D	100.00	32.00	65.00	14.00	12.00	38.00	22.88	83.00	160000

*All dimensions are nominal actual dimensions may vary (mm)

- Customizations such as special coatings, SS304 for better corrosion resistance can be done on all chains on request

DRAW BENCH CHAIN

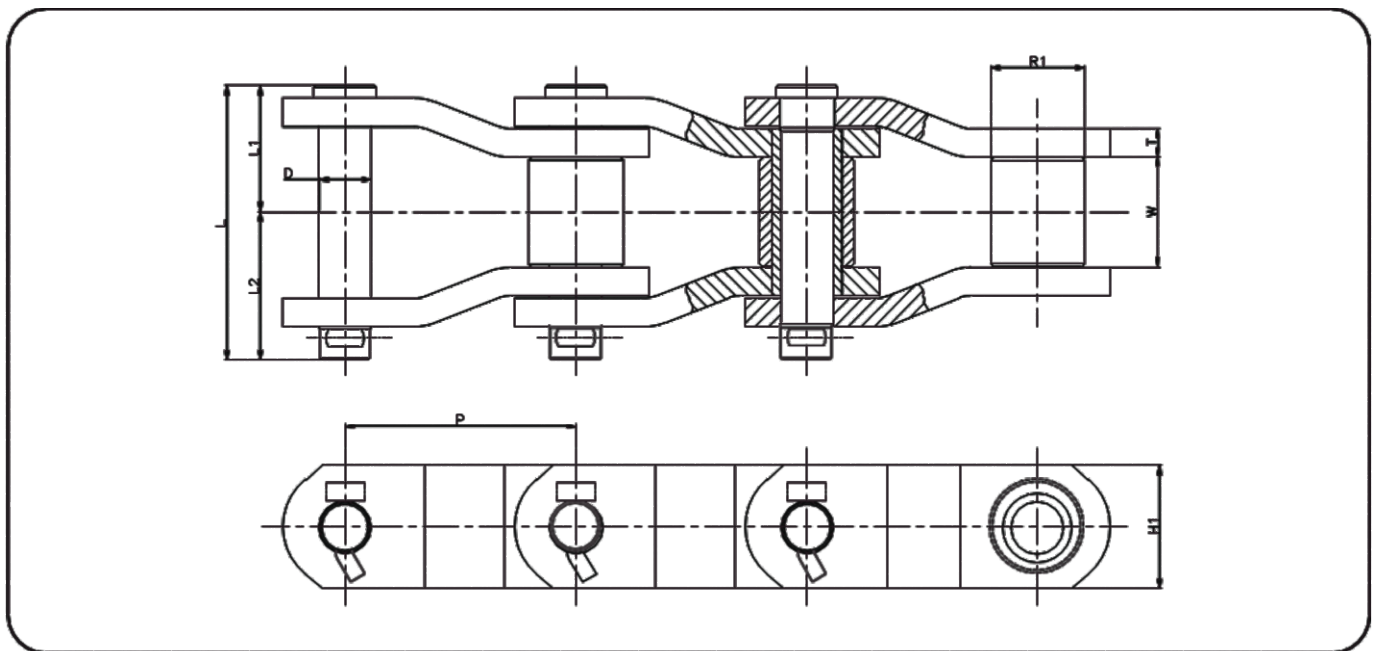


Chain no	Pitch (P)	WIP (W)	Plate Height (H1)	I/P Thk. (T1)	O/P Thk. (T2)	Bush Dia. (B)	Pin Dia. (D)	Min. Breaking Load, Kgf
HLS20150-D	150.00	62.00	90.00	20.00	20.00	55.00	38.00	80000
HLS12177-D	177.80	70.00	100.00	12.00	12.00	54.00	36.00	104000
HLS16177-D	177.80	70.00	90.00	16.00	16.00	54.00	36.00	104000

*All dimensions are nominal actual dimensions may vary (mm)

- Customizations such as special coatings, SS304 for better corrosion resistance can be done on all chains on request

HEAVY DUTY OFFSET SERIES CHAINS



The heavy duty offset sidebar roller chain is designed for drive and traction purposes, and is commonly used on mining equipment, grain processing equipment, as well as equipment sets in steel mills. It is processed with high strength, impact resistance, and wearing resistance, so as to ensure safety in heavy duty applications.

HEAVY DUTY OFFSET SERIES CHAINS

Chain no.	Pitch (P)	Roller Dia. (R1)	WIP (W)	Plate Height (H1)	Plate Thickness (T)	Avg. Breaking Load Kgf	Min. Breaking Load Kgf	Pin Dia. (D1)	Pin Length (L)	L1	L2
HLS05044-HDO	44.45	25.40	25.40	43.20	5.6	24000	20400	12.15	62.6	28.55	34.05
HLS06050-HDO	50.80	28.58	31.75	49.20	6.4	30600	26010	13.73	72.3	33.40	38.90
HLS08050-HDO	50.80	28.58	31.50	42.90	8.1	31750	26987.5	15.06	78.0	36.20	41.80
HLS07057-HDO	57.15	35.72	36.40	54.00	7.2	36300	30855	17.46	81.0	37.30	43.70
HLS09063-HDO	63.50	31.75	38.10	41.50	9.5	39700	33745	15.88	92.5	43.05	49.45
HLS08063-HDO	63.50	39.69	38.90	60.30	8.0	43000	36550	19.80	89.7	41.40	48.30
HLS06066-HDO	66.27	22.23	28.60	28.60	6.4	14700	12495	11.11	67.0	32.00	35.00
HLS09077H-HDO	77.90	41.28	40.10	54.00	9.5	52400	44540	19.05	97.0	45.05	51.95
HLS09077-HDO	77.90	41.28	40.10	54.00	9.5	50000	42500	19.05	97.0	45.05	51.95
HLS08078-HDO	78.11	31.75	38.10	38.00	8.0	27700	23545	15.88	86.5	40.05	46.45
HLS09078-HDO	78.11	31.75	38.10	41.50	9.5	39700	33745	15.88	92.5	43.05	49.45
HLS09079-HDO	79.38	41.28	41.20	54.00	9.5	52000	44200	20.32	99.5	45.90	53.60
HLS12088-HDO	88.90	44.45	38.60	54.00	12.7	63500	53975	22.23	111.7	51.60	60.10
HLS14099-HDO	99.21	57.15	38.40	82.60	14.3	118000	100300	30.16	121.0	56.85	64.15

*All dimensions are nominal actual dimensions may vary (mm)

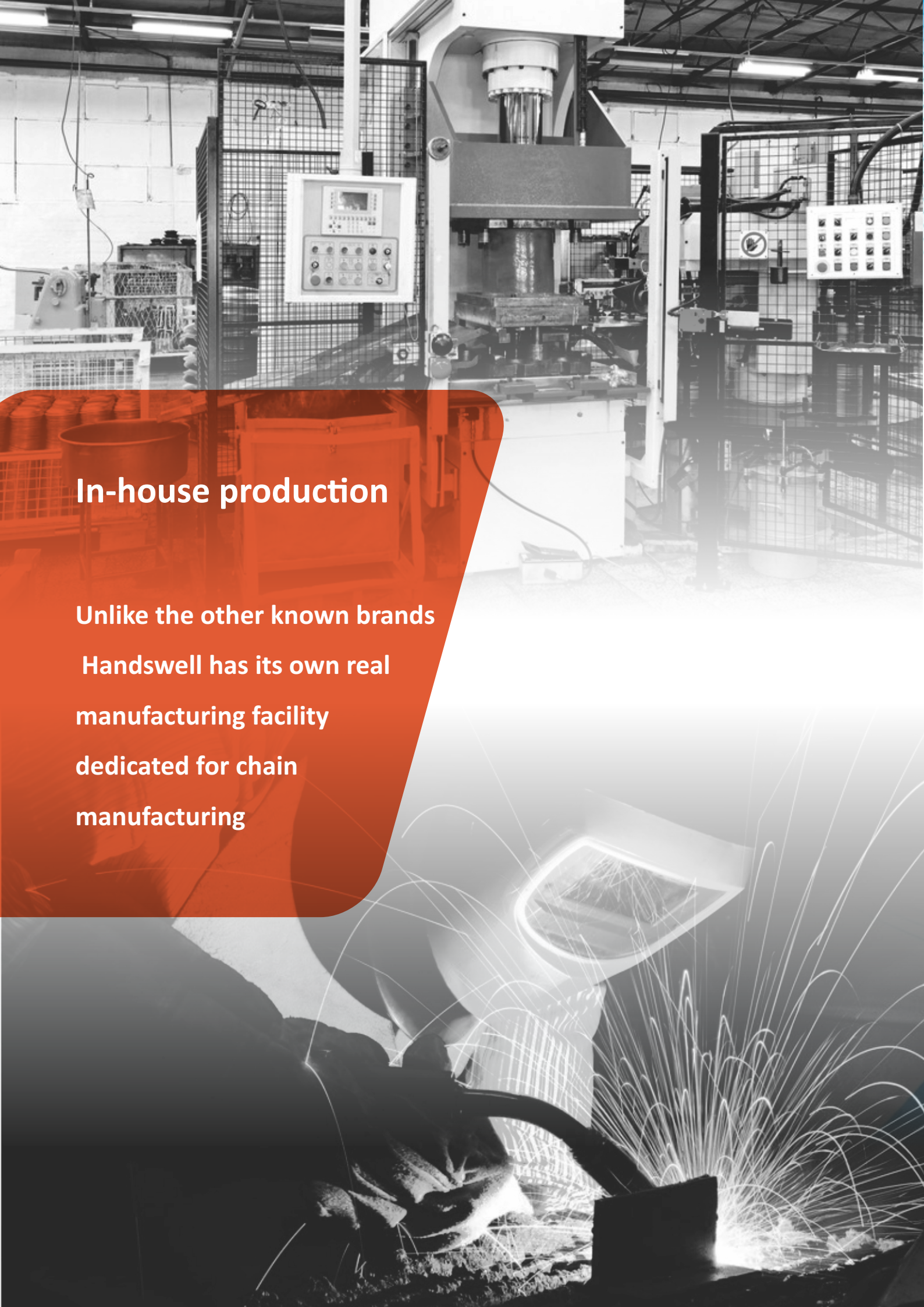
- Customizations such as special coatings, SS304 for better corrosion resistance can be done on all chains on request

HEAVY DUTY OFFSET SERIES CHAINS

Chain no.	Pitch (P)	Roller Dia. (R1)	W/P (W)	Plate Ht. (H1)	Plate Thk. (T)	Avg. Breaking Load Kgf	Min. Breaking Load Kgf	Pin Dia. (D1)	Pin Length (L)	L1	L2
HLS12103-HDO	103.20	44.45	38.60	54.00	12.7	63500	53975	22.23	111.7	51.60	60.10
HLS12103A-HDO	103.20	44.45	49.10	54.00	12.7	63500	53975	22.23	122.2	56.85	65.35
HLS16103H-HDO	103.20	44.45	49.20	59.00	16.0	80300	68255	22.23	135.7	63.60	72.10
HLS16103-HDO	103.20	44.45	49.20	59.00	16.0	69000	58650	22.23	135.7	63.60	72.10
HLS14103H-HDO	103.45	45.24	49.20	60.00	14.5	84600	71910	23.80	130.0	60.25	69.75
HLS14103-HDO	103.45	45.24	49.20	60.00	14.5	77000	65450	23.80	130.0	60.25	69.75
HLS14104H-HDO	103.89	47.63	49.20	70.00	14.5	105000	89250	25.40	132.0	62.25	69.75
HLS14104-HDO	103.89	47.63	49.20	70.00	14.5	86500	73525	25.40	132.0	62.25	69.75
HLS14104HA-HDO	103.89	50.80	49.20	70.00	14.5	105000	89250	25.40	132.0	62.25	69.75
HLS14104A-HDO	103.89	50.80	49.20	70.00	14.5	86500	73525	25.40	132.0	62.25	69.75
HLS14114-HDO	114.30	57.15	52.40	76.00	14.5	113000	96050	27.90	135.5	64.25	71.25
HLS14127-HDO	127.00	63.50	58.70	76.00	14.5	109000	92650	28.63	141.5	67.40	74.10
HLS16127-HDO	127.00	63.50	70.00	90.00	16.0	156000	132600	31.75	161.2	77.05	84.15
HLS19152-HDO	152.40	76.20	76.30	101.60	19.0	207000	175950	38.10	184.0	86.70	97.30

*All dimensions are nominal actual dimensions may vary (mm)

- Customizations such as special coatings, S5304 for better corrosion resistance can be done on all chains on request



In-house production

**Unlike the other known brands
Handswell has its own real
manufacturing facility
dedicated for chain
manufacturing**



HANDSWELL'S CHAIN INDUSTRIES

hands you well always



M/S. HANDSWELL'S CHAIN INDUSTRIES LLP
G-2 BLOCK G2-1104
KG SIGNATURE CITY PH 2 ADAYALAMPATTU
TAMILNADU - 600 095

Website: www.handswellchains.com
Email: enquiry@handswellchains.com
Phone: +91-8248431963